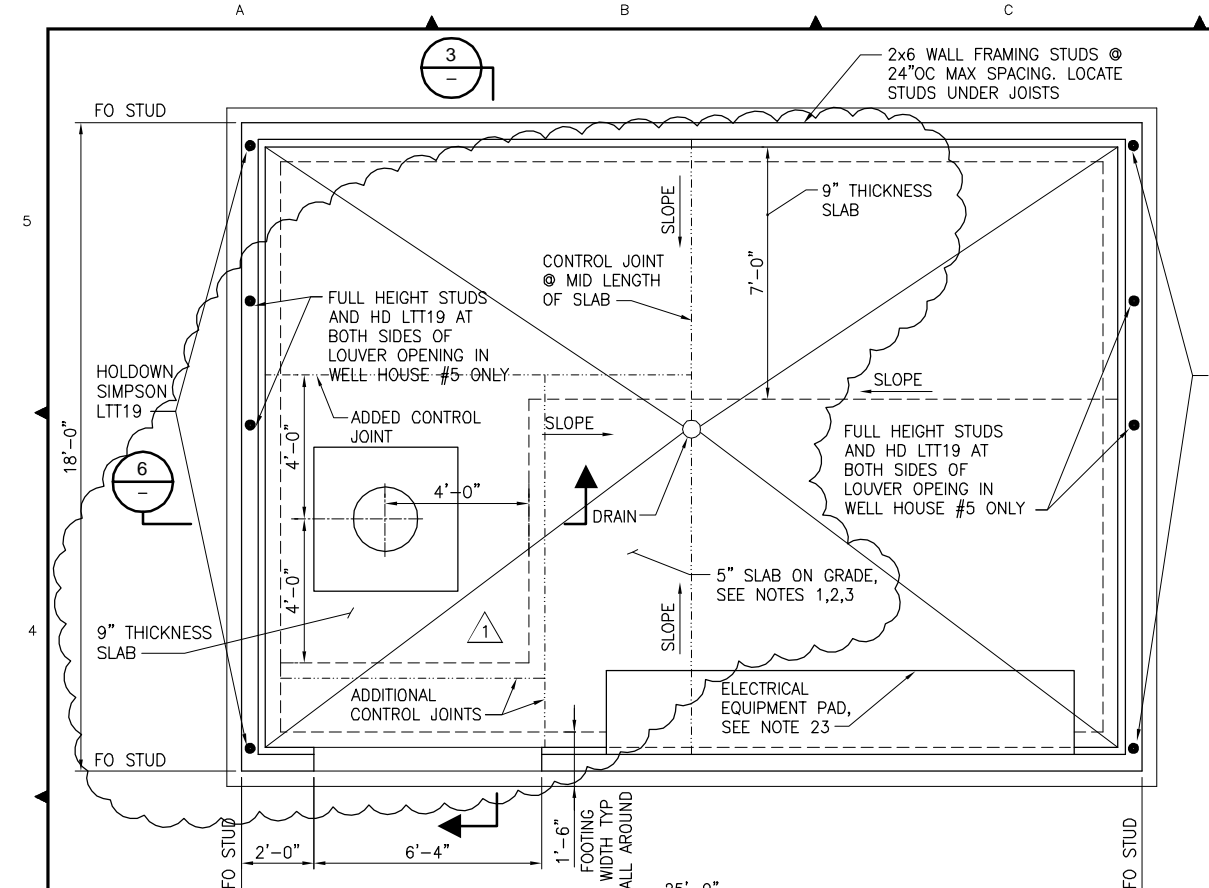


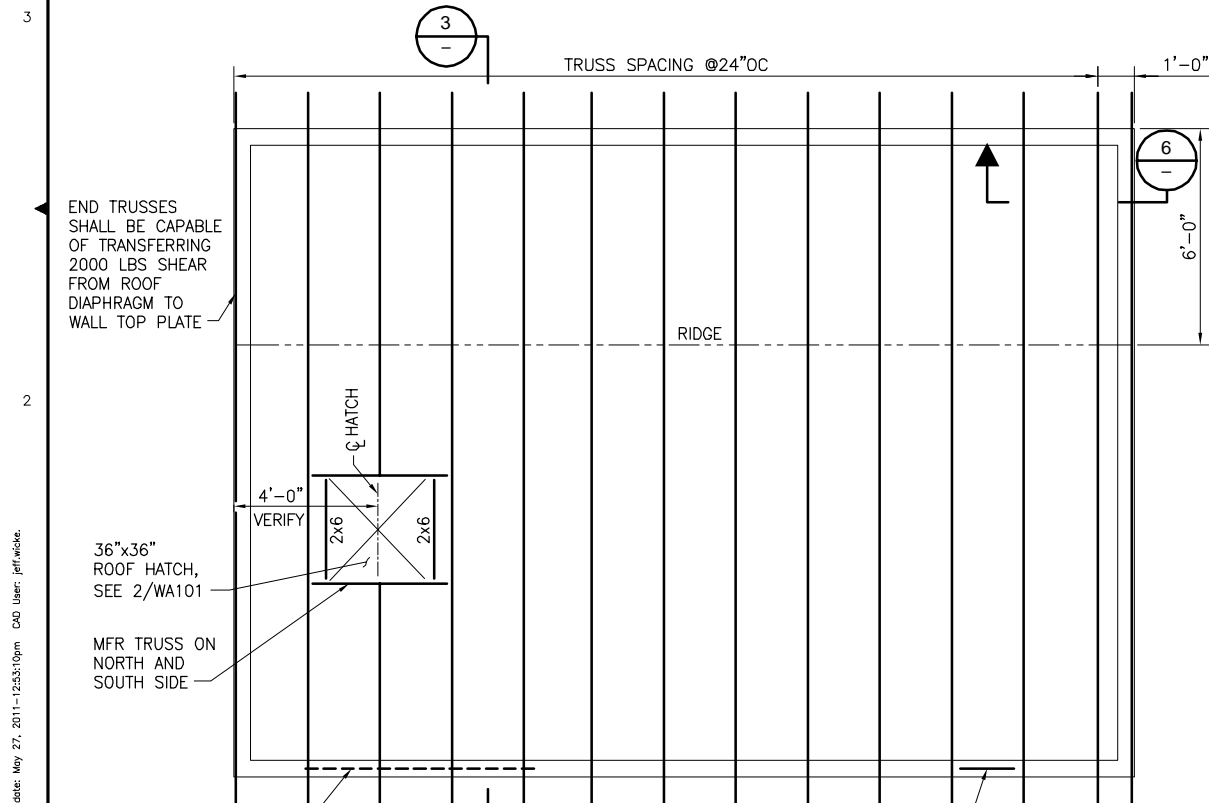
Pump House Ventilation RFP Questions and Answers as of March 20, 2024

- Any specifications on the Fan/Louvres you were wanting installed?
 - There are no specifics Fan/Louvres for this project. It's up to the contractor's discretion.

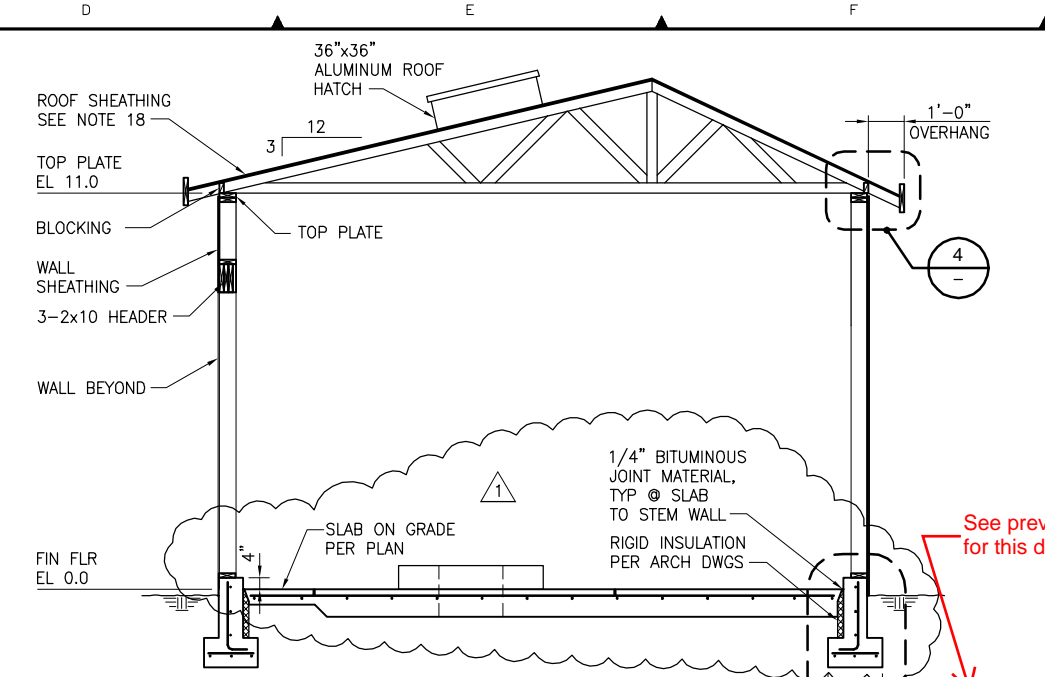
- Is there a plan printout of the Pump House?
 - Yes, it's attached as the last page of this document.



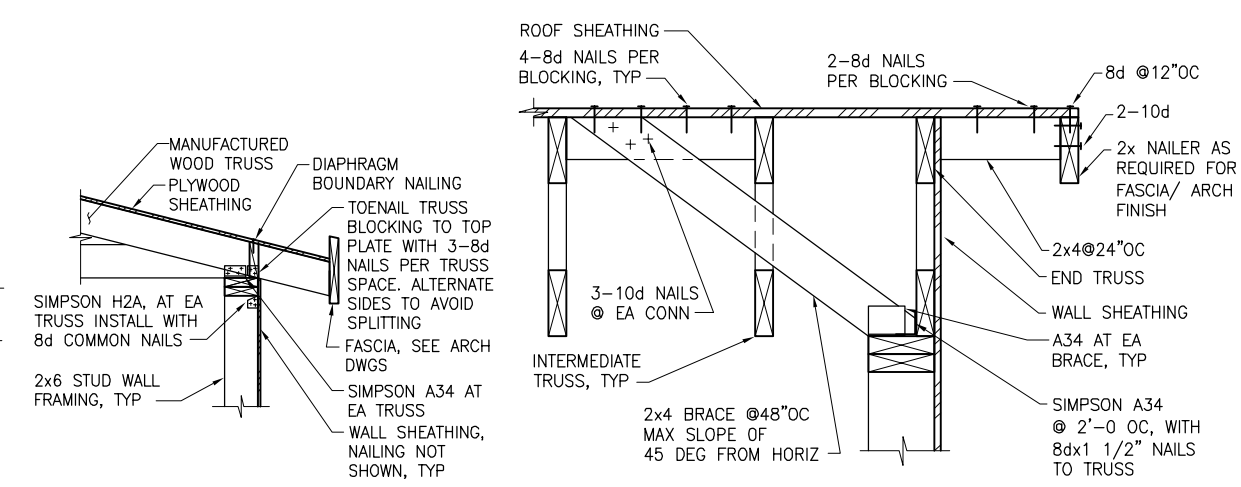
FOUNDATION PLAN
3/8"=1'-0"



ROOF PLAN
3/8"=1'-0"

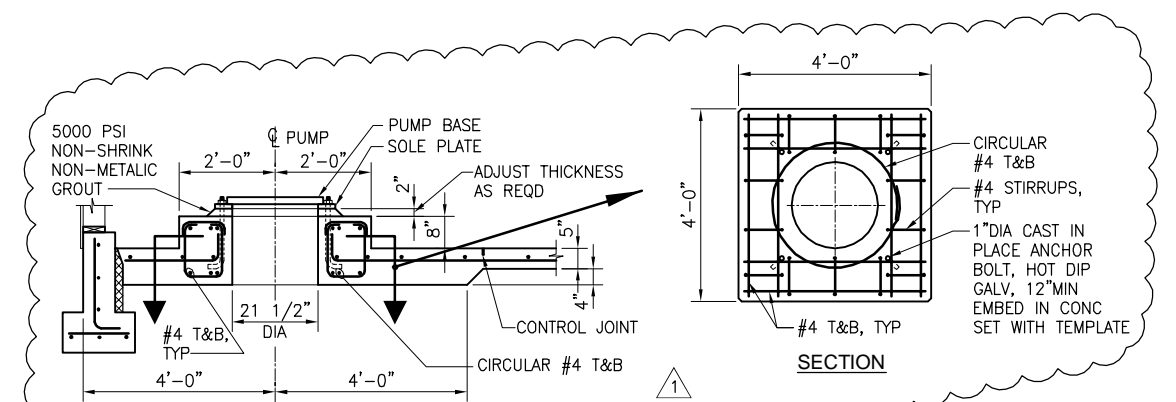


SECTION 3
3/8"=1'-0"

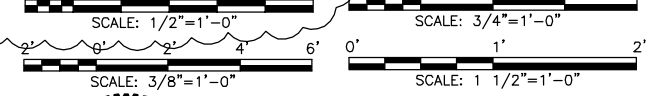


DETAIL 4
3/4"=1'-0"

SECTION 5
1 1/2"=1'-0"



SECTION 6
1/2"=1'-0"



- NOTES:**
- SLAB ON GRADE SHALL BE A 5" THICK CONCRETE SLAB UNO PLACED DIRECTLY ON A PLASTIC SHEETING VAPOR BARRIER.
 - SLAB ON GRADE SHALL BE REINFORCED WITH #5@16, EACH WAY. REINFORCING SHALL BE SUPPORTED TO MAINTAIN POSITION AT 2" FROM TOP OF SLAB.
 - VAPOR BARRIER SHALL BE MINIMUM 10 MIL THICK PLASTIC SHEETING PLACED OVER A PREPARED CRUSHED ROCK CAPILLARY BREAK. SHEETING SHALL OVERLAP MINIMUM 6" AT JOINTS AND BE FULLY TAPED PER MANUFACTURER'S DIRECTIONS.
 - ALL CONCRETE PAVEMENT SURFACES AT BUILDING DOORS SHALL BE FLUSH WITH INTERIOR FINISH FLOOR CONCRETE SLAB.
 - ALL EXPOSED CONCRETE EDGES SHALL BE CHAMFERED 3/4 INCH UNLESS NOTED OTHERWISE.
 - HOLD ALL EXPANSION JOINT MATERIAL AND INSULATION 1/2 INCH BELOW TOP OF SLAB AND SEAL TOP WITH INDUSTRIAL POLYURETHANE CAULK.
 - CONTROL JOINTS IN SLAB SHALL BE LOCATED AS SHOWN, FILL CONTROL JOINTS WITH SEALANT.
 - ALL SERVICE PIPING, POTABLE WATER GAS, ETC., PENETRATING THE SLAB AND FOUNDATION WALL SHALL HAVE PIPE SLEEVES. SLEEVES SHALL BE IN ACCORDANCE WITH ASTM A53 STD WT PIPE AND WILL HAVE 1 INCH MINIMUM CLEARANCE FROM THE OUTSIDE FACE OF THE SERVICE LINE TO THE INSIDE FACE OF THE PIPE SLEEVE. SEAL GAP WITH BACKER ROD AND CONTINUOUS BEAD OF SEALANT ALL AROUND. SEE MECHANICAL DRAWINGS FOR SERVICE PIPE SIZES.
 - ALL EARTHWORK SHALL BE IN ACCORDANCE WITH THE SPECIFICATIONS.
 - INSTALL BLOCKING BETWEEN JOISTS, FASTEN ROOF SHEATHING TO BLOCKING WITH DIAPHRAGM BOUNDARY NAILING REQUIREMENTS. EACH BLOCKING SHALL TOE NAILED TO WALL TOP PLATE WITH (4)-8d NAILS.
 - JOISTS SHALL BE ANCHORED TO WALL FRAMING WITH SIMPSON H2A HURRICANE TIES AT EACH TRUSS AT EACH END.
 - SILL PLATE ANCHOR BOLTS SHALL BE 5/8" DIAMETER, HOT-DIP GALVANIZED, INSTALLED AT A MAXIMUM SPACING OF 4'-0" OC, UNLESS NOTED OTHERWISE. MINIMUM 7" EMBEDMENT IN CONCRETE AND 3x3 SQUARE WASHER AT EACH ANCHOR BOLT. PER PIECE OF SILL PLATE THERE SHALL BE A MINIMUM OF 2 BOLTS, NOT MORE THAN 1'-0" OR LESS THAN 4" FROM END OF PLATE.
 - NAILING SHALL BE IN ACCORDANCE WITH IBC TABLE 2304.9.1 UNLESS NOTED OTHERWISE.
 - ALL FASTENERS; NAILS, SPIKES, LAG SCREWS, AND BOLTS EXPOSED TO WEATHER OR IN CONTACT WITH TREATED WOOD OR CONCRETE SHALL BE HOT-DIP GALVANIZED.
 - STANDARD HEADER SHALL BE 2-2x10 UNLESS OTHERWISE NOTED, STITCH NAIL TOGETHER WITH 2-10d NAILS @12"OC. STANDARD HEADER SHALL BE SUPPORTED AT EACH END WITH ONE 2x TRIM STUD, UNLESS NOTED OTHERWISE.
 - ALL SIMPSON CONNECTORS AND HANGERS EXPOSED TO WEATHER OR IN CONTACT WITH TREATED WOOD OR CONCRETE SHALL BE HOT-DIP GALVANIZED OR HAVE Z180 COATING.
 - WHERE STITCH NAILING OF STUDS IS REQUIRED, STUDS SHALL BE CONNECTED WITH 10d NAILS AT 6" OC, STAGGER TO AVOID SPLITTING.
 - ROOF DIAPHRAGM SHALL BE 7/16 C-D PLYWOOD SHEATHING, EXPOSURE 1, CONFORMING TO STANDARD PS1, 24/16 SPAN RATING, FASTENED TO ALL SUPPORTING MEMBERS WITH 8d (0.131" DIA x 2 1/2") NAILS AT: 6"OC AT DIAPHRAGM BOUNDARY, 6" OC AT CONTINUOUS PANEL EDGES, 6" OC AT ALL OTHER PANEL EDGES AND 12" OC AT PANEL FIELD.
 - ALL SILL PLATES IN CONTACT WITH CONCRETE SHALL BE TREATED WOOD.
 - WALL SHEATHING SHALL BE 3/8" C-D PLYWOOD, EXPOSURE 1, CONFORMING TO STANDARD PS1, WITH 8d NAILS AT 6"OC AT PANEL EDGES AND 6"OC AT PANEL FIELD. ALL PANEL EDGES SHALL BE BLOCKED WITH 2x FRAMING. PANELS SHALL BE APPLIED LONG DIMENSION ACROSS WALL STUDS.
 - WALL FRAMING SHALL BE 2x6 STUDS @24"OC MAX SPACING. STUDS SHALL BE POSITIONED DIRECTLY BELOW TRUSSES.
 - SEE DRAWING HS921 FOR MANUFACTURED TRUSS NOTES AND TRUSS DESIGN LOADS.
 - BLOCK OUT STEM WALL FLUSH WITH INSIDE FACE OF STUD. INSTALL 4" HOUSEKEEPING PAD PER THE TYPICAL STRUCTURAL DETAILS. PROVIDE 3" MINIMUM FROM CENTERLINE OF ANCHOR TO EDGE OF CONCRETE, ALL SIDES.

Path: S:\CADD\450002\REV\WATER\WS101.dwg Plot date: May 27, 2011 1:24:31pm CAD User: jrf/wsk
 Xref Filename: I_WL_TB | CSNA-JCM | CSNA-MMW |

DATE: NOV 2009	DESIGNED: MMW	DRAWN: JLF	CHECKED: HRN	APPROVED: JCM
1	5-27-11	MMW	HRN	JCM
REV	DATE	DES	CHECK	APPROVALS
				THICKENED SLAB PER EQUIPMENT SUPPLIER REQUIREMENTS
				REVISION DESCRIPTION

TETRA TECH
www.tetrattech.com
1420 Fifth Avenue, Suite 600
Seattle, Washington 98101
Phone: 206-883-9300 Fax: 206-883-9301

PROJECT RECORD DRAWINGS
4/1/13



COLVILLE CONFEDERATED TRIBES
CHIEF JOSEPH HATCHERY

SI 030

FILE NO: WS101
PROJECT NO: 3450002
DWG NO: WS101
SHEET: OF

TYPICAL HATCHERY WELL BUILDING
PLANS, SECTIONS, AND DETAILS

Copyright 2009, Tetra Tech, Inc., All Rights Reserved